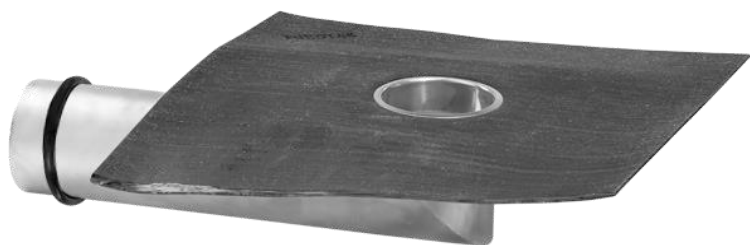




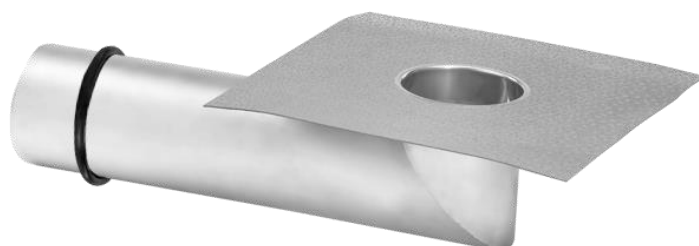
TECHNICAL DATA SHEET

JUAL

ANGULAR ROOF OUTLET



Angular Roof Outlet with bitumen membrane



Angular Roof Outlet with foil membrane

PRODUCT DESCRIPTION

JUAL Angular Roof Outlet.

APPLICATIONS:

For drainage of flat roofs with bitumen or foil membranes where horizontal drainage is required.

NOTICE: In case the standard outlet pipe is too short to penetrate the facade of the building, the horizontal outlet pipe can be extended by welding at JUAL.

MATERIALS:

Fully welded pipe and assembly ring in acid proof stainless steel AISI 316/EN 1.4401.

Flange in stainless steel AISI 304/EN 1.4301 for bitumen membrane or foil coated steel flange for foil membrane.

Membranes in SBS or APP bitumen as well as various foil types are integrated from the factory.

Installation and application must be conducted in accordance with current industry standards and compatibility with the roof's membrane must be secured.

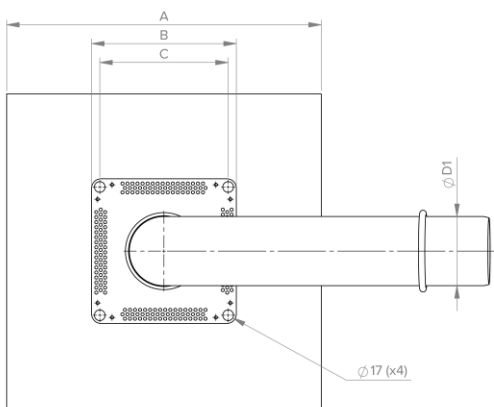
ARTICLE NUMBERS

TYPE	EXT. DIA.	HEIGHT	ARTICLE NUMBER	APPLICATION	MEMBRANE
JUAL Angular Roof Outlet	Ø50	75 mm	64050-570-xxx 64050-1060-xxx	Ø50 socket & Ø63 insertion	Ex.: 64090-570-xxx "xxx" is the membrane code Examples: SBS: code 101 APP: code 114 Membrane list at: www.jual.dk
JUAL Angular Roof Outlet	Ø63	88 mm	64063-570-xxx 64063-1060-xxx	Ø75 insertion	
JUAL Angular Roof Outlet	Ø75	100 mm	64075-570-xxx 64075-1060-xxx	Ø75 socket & Ø90 insertion	
JUAL Angular Roof Outlet	Ø90	115 mm	64090-570-xxx 64090-1060-xxx	Ø90 socket & Ø110 insertion	
JUAL Angular Roof Outlet	Ø110	135 mm	64110-570-xxx 64110-1060-xxx	Ø110 socket & Ø125 insertion	

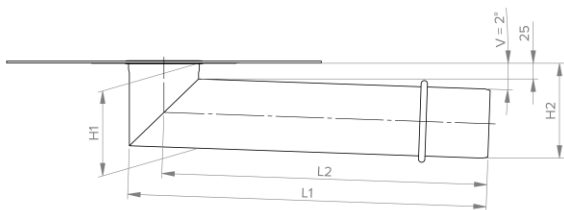


TECHNICAL DATA SHEET

TECHNICAL INFORMATION



ØD1	L1	L2 (570/1060)	H1	H2 (570/1060)	A		B		C	
					Bitu- men	Foil	Bitu- men /Foil	Steel flange	Bitu- men /Foil	Steel flange
Ø50	570 or 1060	545/1035	75	93/110	500	400	230	300	200	270
Ø63		539/1029	88	105/123						
Ø75		533/1023	100	117/134						
Ø90		525/1015	115	132/149						
Ø110		515/1005	135	151/168						



ACCESSORIES

O-RING

An O-ring in EPDM rubber is included for each outlet and pipe ends are bevelled for easy installation. For more information see JUAL's Roofer's Choice catalogue.

LEAF GRATE

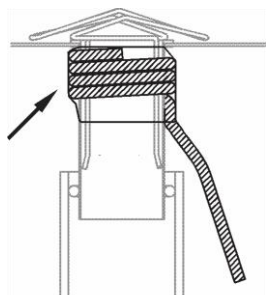
JUAL recommend installation of leaf grates which must be checked/cleaned at appropriate intervals. Drainage capacity depends upon the chosen leaf grate. Leaf grates are to be ordered separately.

Technical data and drainage capacities for roof outlets and leaf grates are found on separate data sheets at www.jual.dk

HEATING CABLE

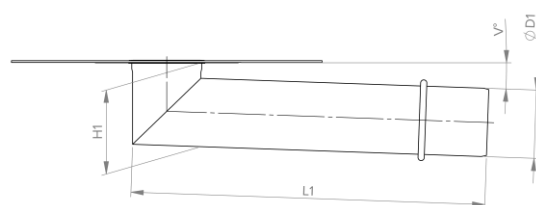
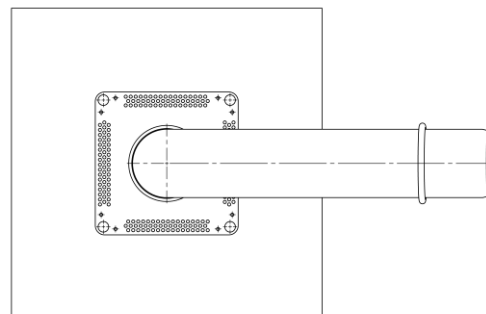
JUAL Angular Roof Outlets can be supplied with 230V heating cable.

See separate data sheet for heating cable at www.jual.dk



Heating cable mounted on
Outlet pipe

SPECIAL DIMENSIONS



At special ordering:

Please inform H1, L1, V° and ØD1 dimensions.

H1 = ØD1 + minimum 25 mm.

GENERALLY

The outlet is manufactured in accordance with the guidelines of EN1253 and EN1124 which specifies requirements for construction and function, and manufactured in accordance with DIN 18200 which specifies requirements for serial production.