

JUAL

SOIL PIPE FLASHING

PLASTIGEN



PRODUCT DESCRIPTION

JUAL Soil Pipe Flashing Plastigen

APPLICATION:

The soil pipe flashing is used for the flashing of soil pipes which penetrates the roof construction and the roofing membrane. The soil pipe flashing is a systematic and secure solution that provides both a watertight flashing of the roofing membrane and an airtight extension of the soil pipe above the roof.

MATERIAL:

Black PVC

The flange has been primed for optimum bituminous adhesion.

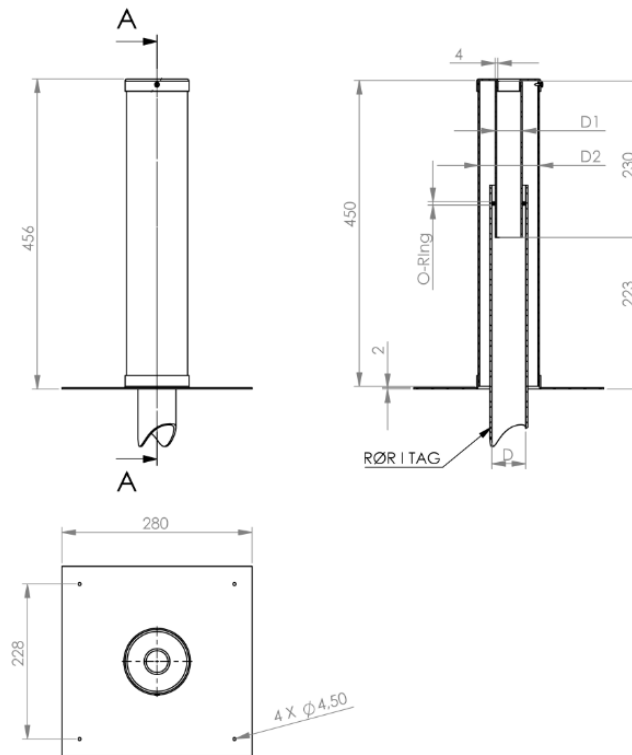
Installation and application must be conducted in accordance with current industry standards and compatibility with the roof's

TECHNICAL DATA SHEET

ARTICLE NUMBERS

TYPE	USED FOR	PART NO.
PLASTIGEN Soil Pipe Flashing 50 mm	Ø50 mm pipe	51050
PLASTIGEN Soil Pipe Flashing 75 mm	Ø75 mm pipe	51075
PLASTIGEN Soil Pipe Flashing 90 mm	Ø90 mm pipe	51090
PLASTIGEN Soil Pipe Flashing 110 mm	Ø110 mm pipe	51110

TECHNICAL SPECIFICATIONS



TYPE	D1	D2	O-RING	FITS PIPES
PLASTIGEN Soil Pipe Flashing 50 mm	40 mm	90 mm	Ø40/Ø5	Ø 50 mm
PLASTIGEN Soil Pipe Flashing 75 mm	63 mm	90 mm	Ø63/Ø6	Ø 75 mm
PLASTIGEN Soil Pipe Flashing 90 mm	75 mm	110 mm	Ø75/Ø8	Ø 90 mm
PLASTIGEN Soil Pipe Flashing 110 mm	90 mm	125 mm	Ø100/Ø10	Ø 110 mm