

JUAL

CABLE FLASHING Ø50



PRODUCT DESCRIPTION

JUAL Cable flashing Ø50

APPLICATION:

For leading cables through roofs with bitumen or foil membranes. The Ø50 Cable flashing exists in two versions.

Ø50 x 180° (stainless steel with EPDM protection ring) for application on flat roofs.

Ø50 x 135° (black powder coated stainless steel with heat shrinkable tubing) for application on flat and pitched roofs.

MATERIALS:

Flange: 1,0 mm stainless steel, EN 1.4301 (AISI 304).

Pipe/bend: Stainless steel, EN 1.4401 (AISI 316) (powder coated RAL 9005 on the Ø50 x 135° version).

Membrane: Bitumen or foil.

Installation and application must be conducted in accordance with current industry standards.

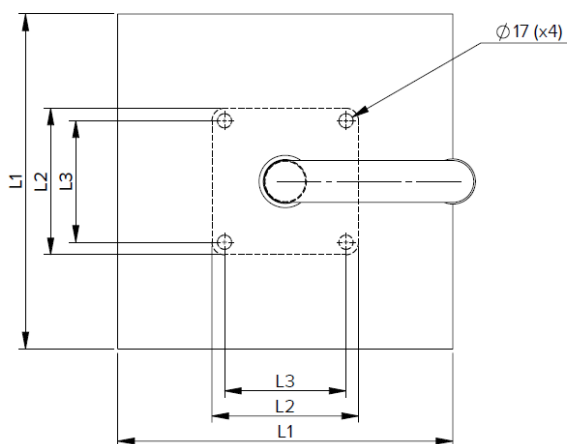
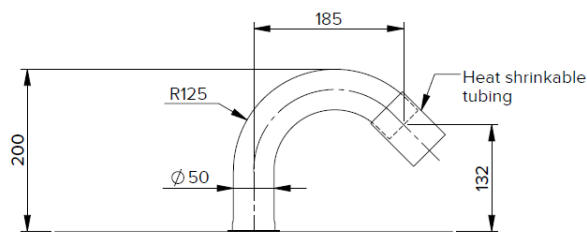
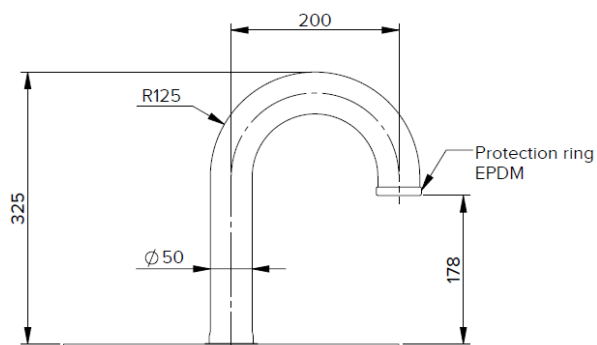
ARTICLE NUMBERS

TYPE:	DIAMETER:	BEND:	COLOR:	ARTICLE NUMBER:	MEMBRANE:
JUAL Cable flashing Ø50 x 180°	Ø50	180°	Natural	220054-xxx	Ex.: 220054-xxx "xxx" is the membrane code Examples: SBS code = 107 APP code = 114 Complete list of membranes can be found on www.jual.dk
JUAL Cable flashing Ø50 x 135°	Ø50	135°	Black RAL 9005	220154-xxx	

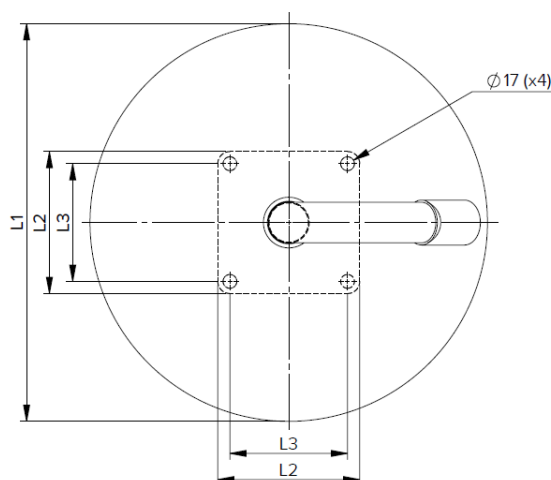


TECHNICAL DATA SHEET

TECHNICAL INFORMATION



Ø50 x 180°



Ø50 x 135°

TYPE:	L1:		L2:		L3:	
	BITUMEN	FOIL	BITUMEN	FOIL	BITUMEN	FOIL
JUAL Cable flashing Ø50 x 180°	400 x 400	400 x 400*	175 x 175	230 x 230	145 x 145	200 x 200
JUAL Cable flashing Ø50 x 135°	Ø490	400 x 400*	175 x 175	230 x 230	145 x 145	200 x 200

*On variants with foil membrane the size L1 varies depending on the foil type.
All variants with foil membrane are made with a square foil membrane with rounded corners.